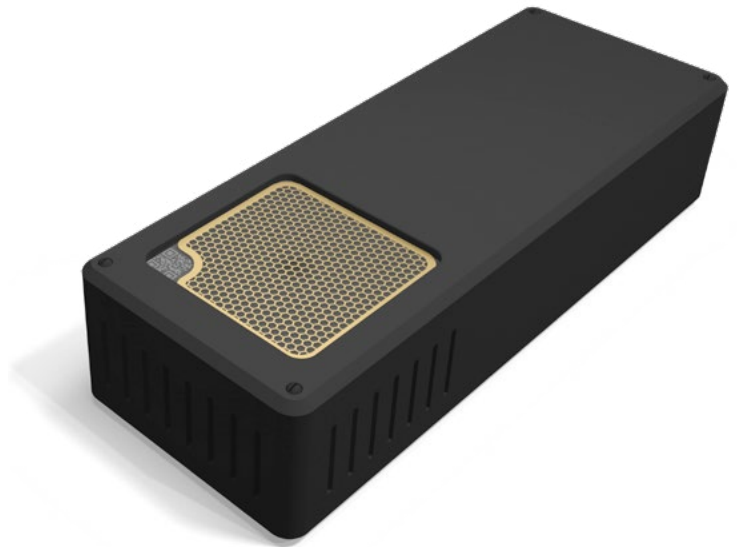


EDEN PARK

Getting started with MobileShield²²²



EDEN PARK

Copyright © 2023 by Eden Park Illumination, Inc.

All rights reserved. No part of this work may be reproduced or transmitted in any form or by any means, electronic or mechanical, including photocopying and recording, or by any information storage or retrieval system, except as may be expressly permitted in writing by Eden Park Illumination.

Printed in the United States of America.

ID100007 V1RE

903 N Country Fair Dr, Champaign, IL 61821

Hello, and thank you!

You are the proud owner of a MobileShield²²², a state-of-the-art disinfection device created by Eden Park to achieve a healthier space for you and those around you.

The world has changed drastically in the last several years given the emergence of Covid-19 and other pathogens. The Global Health Security Index created by John Hopkins Center for Health Security and the Nuclear Threat Initiative is an assessment of global health security capabilities in 195 countries. The 2021 index reports that 0 countries are appropriately prepared for a future pandemic or epidemic threat.

Eden Park is committed to providing defensive tools required to stay protected in these uncertain times.

Let's build a better world, together.

Table of Contents

1.0	Safety Instructions	1
2.0	Introduction	4
	2.1 Overview	4
	2.2 Package Contents	4
	2.3 Dimensions	4
	2.4 Specifications	5
3.0	Getting Started	6
	3.1 Product Layout	6
	3.2 Operating Instructions	6
4.0	Quick Start	7
5.0	Maintenance and Care	8
	5.1 Cleaning	8
	5.2 Storage	8
	5.3 Troubleshooting	8
6.0	Warranty Information	10
7.0	Contact Information	11
8.0	UV Intensity Specifications	12

1.0 Safety Instructions

READ AND FOLLOW ALL SAFETY INSTRUCTIONS

IMPORTANT SAFEGUARDS

When using an electric product, basic precautions should always be followed, including the following:

- To reduce the risk of death, personal injury or property damage from fire, electric shock, falling parts, cuts/abrasions, and other hazards please read all warnings and instructions included with and on the product box and all product labels.
- Maintenance and servicing of this UV generating equipment shall be performed by authorized personnel.
- The use of accessory equipment not recommended by the manufacturer may cause an unsafe condition.
- Do not use this equipment for other than intended use.
- Do not operate damaged product! This luminaire has been properly packed so that no parts should have been damaged during transit. Inspect to confirm.
- To reduce the risk of injury, close supervision is necessary when this device is used near children.
- Only operate the MobileShield222 with the included power supply.
- Do not clean the MobileShield222 while it is operating.
- For use in dry locations only.
- The MobileShield222 must be stored in a dust-free environment and be handled while wearing clean gloves. Since Far-UVC radiation is strongly absorbed by proteins and other organic compounds, collection of dust particles or touching of the optical radiation surface will negatively impact the 222nm output and its effectiveness against pathogens.
- These instructions do not purport to cover all details or variations in equipment nor to provide every possible contingency to meet in connection with installation, operation, or maintenance. Should further information be desired, or should problems arise which are not covered sufficiently for the purchaser's or owner's purposes, please refer to Eden Park Illumination, Inc.

▲ CAUTION: RISK OF UV EXPOSURE

- This equipment uses a ultraviolet (UV) source and must be used in compliance with its marking and instruction to prevent the user's eye and bare skin from exposure to harmful UV or optical radiation. Follow the instructions for correct placement of the equipment and the precautions for securing the area before initiating equipment operation.
- IT IS THE RESPONSIBILITY OF THE OPERATOR TO ENSURE THAT PERSONS WILL NOT BE EXPOSED TO EXCESSIVE UV OR OPTICAL RADIATION DURING EQUIPMENT OPERATION. THIS WILL REQUIRE THE OPERATOR TO CONDUCT AN ASSESSMENT OF IRRADIANCE OR ILLUMINANCE LEVELS IN SURROUNDING OCCUPIED SPACES PRIOR TO OCCUPANCY.
- UV and optical radiation can be reflected by surrounding surfaces such as ceilings and walls. Since the reflective properties of surfaces can vary widely, it should be considered when operating the device in a particular location.

▲ CAUTION: RISK OF ELECTRIC SHOCK

- The MobileShield222 produces high voltage internally which presents a danger to the user if exposed. If the unit is damaged in any way, disconnect power immediately.
- Do not open the MobileShield222 case.
- Do not drill into or puncture the MobileShield222 case.
- Do not submerge or expose the MobileShield222 to liquids. Do not operate if the MobileShield222 is wet.
- Always unplug this device from the electrical outlet immediately after use.

▲ CAUTION: RISK OF FIRE

- Do not block or obstruct the vent slots. This may cause the unit to overheat and fail, which would not be covered under warranty.
- Keep combustible and other materials that can burn away from lamp/lens.
- Do not operate in close proximity to persons, combustible materials, or substances affected by heat or drying.

- To reduce risk of overheating, only operate in an environment between 32°F and 105°F (about 0°C to 40°C).

⚠ CAUTION: RISK OF BURN

- Do not touch the face of the UV window. It can become hot to the touch.

SAVE THESE INSTRUCTIONS

Assistance:

For assistance, visit our website www.edenpark.com or email customersupport@edenpark.com. Online information is available 24 hours a day, 7 days a week.

Regulatory Information:

EPA Company Establishment Number: 100177-IL-1

UL File Number – UV Lamp: E524006

UL File Number – UV Ballast: E524200

The MobileShield222 is CARB (California Air Resources Board) certified.

The MobileShield222 requires registration in the following states: Indiana. Until this registration is complete, the MobileShield222 is not intended for sale in the listed state(s).

Failure to follow any of this instruction could void product warranties. Eden Park Illumination, Inc. assumes no responsibility for claims arising out of improper or careless installation or handling of its products.

2.0 Introduction

2.1 Overview

The MobileShield222 is an advanced, portable disinfection device that has been scientifically proven to eliminate harmful viruses, bacteria, and pathogens. What sets the MobileShield222 apart is its utilization of the 222nm wavelength, a cutting-edge approach that not only neutralizes germs but is also safer for use in occupied spaces. Operating the device is simple; just plug it in and turn it on to begin disinfection. The MobileShield222 offers a trusted and versatile solution for various spaces, including homes, schools, workplaces, medical centers, retail outlets, and entertainment venues.

2.2 Package Contents

When you open the package, you should find the following items:

- MobileShield222
- 12V DC Power Supply
- Rechargeable Battery Pack (6000 mAh Lithium Ion, 12 VDC)

2.3 Dimensions

- Size: 7.2" x 2.9" x 1.8" (183 x 72 x 48 mm)
- Weight: 8.1 oz (230 g)

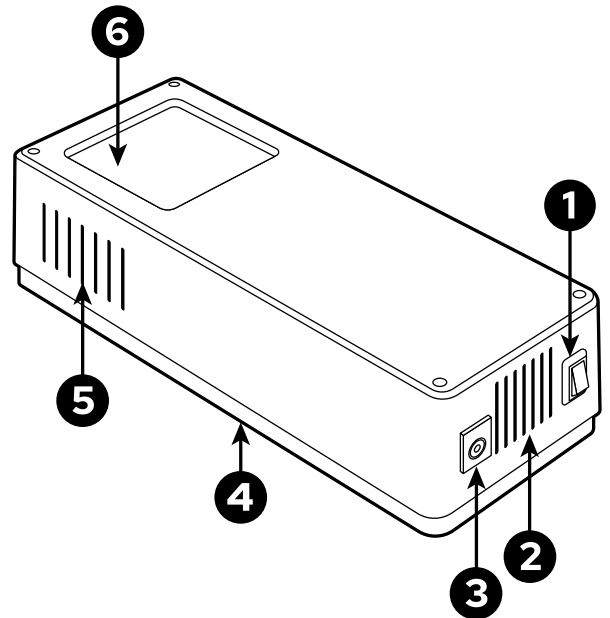
2.4 Specifications

Model Number	F100002-XXX (where XXX denotes color)
UV Wavelength	222 nm
UV Output	1,600 uW/cm ²
Total UV Output	27 mW (minimum)
Effective Range of Operation	10 ft
Operating Humidity	10-95% RH (non-condensing)
Lifetime	3,000 hours (minimum)
12V Power Supply Input Voltage	100-240 V AC 50/60 Hz
Wall Power Consumption (ON)	12 W (maximum)
Wall Power Consumption (OFF)	100 mW (maximum)
Input Current	1,00 mA @ 12V DC (maximum)
Operating Temperature	-15°C to +40°C

3.0 Getting Started

3.1 Product Layout

1. ON/OFF Switch
2. Fan intake
3. 12V DC jack
4. Mounting bracket
5. Vent slots
6. UV window



3.2 Operating Instructions

Power On

- Confirm that the rocker switch is in the OFF position.
- Plug the 12V DC adapter into the electrical wall outlet. Plug the other end into the MobileShield222.
- Toggle the rocker switch to the ON position.

Power Off

- Toggle the rocker switch to the OFF position.

4.0 Quick Start

1. Placement

Place the MobileShield222 on a flat surface between yourself and others, ensuring the UV window faces up.

Do not block or obstruct the UV window. UV will only disinfect harmful viruses, bacteria, and pathogens that are exposed to the light.

2. Power On

Connect the MobileShield222 to an outlet or the portable battery pack. Flip the rocker switch to the ON position.

3. Disinfect the Air

Your MobileShield222 is actively disinfecting the surrounding air, ensuring protection for you and others, and minimizing the risk of sharing germs and harmful pathogens.

Important Note:

UV light is not visible to the naked eye, making it challenging to confirm whether the MobileShield222 is ON and disinfecting. When active, the device emits a subtle salmon-colored hue, which is particularly noticeable in low-light environments.

To verify operation:

- Turn on the device in a dark room.
- Alternatively, place a piece of standard computer paper over the UV window.
- If the salmon-colored glow is visible, your device is ON and actively disinfecting.

5.0 Maintenance and Care

5.1 Cleaning

- Exterior: Use a soft, lint-free cloth or a microfiber cloth to gently wipe down the exterior of the device. Avoid abrasive materials or harsh chemicals that could damage the surface.
- Display: Lightly dampen a microfiber cloth with water or a screen-specific cleaning solution. Gently wipe the UV window in a circular motion to remove smudges and fingerprints. Never use excessive moisture, and avoid getting liquids into the device's openings.
- Buttons and Ports: Use a soft, dry brush or compressed air to remove dust and debris from buttons, ports, and other openings.

5.2 Storage

- Store your device in a cool, dry place away from direct sunlight, extreme temperatures, and humidity.
- If possible, use the original packaging or a dedicated protective case to prevent dust and debris from setting on the device.
- Ensure the device is stored in a location where it won't be subjected to physical stress or potential impacts.

5.3 Troubleshooting

🔍 Device Not Powering On

- Examine all cable connections to ensure they are secure and properly inserted.
- If issues persist, test an alternative outlet.

🔍 Uncertain if UV Emission is Active

Note that UV light is not visible to the naked eye. When operational, the UV bulb emits a subtle salmon-colored hue, especially noticeable in low-light environments. To verify operation:

- Turn on the device in a dark room.
- Alternatively, place a piece of standard computer paper over the UV window.

If the salmon-colored glow is visible, your device is ON and actively disinfecting.

? Device Overheating or Shutting Down

- Verify that the device is adequately ventilated and shielded from direct sunlight.
- Allow the device to cool down before resuming operation. Ensure proper ventilation to prevent overheating

? Unusual Sounds

- Pay close attention to any atypical sounds during operation.
- If unusual sounds persist, contact customer support. Discontinue use if there are any unusual sounds, as this may indicate a malfunction.

? Unusual Odors

- Pay close attention for any unexpected odors emanating from the device.
- If unusual odors persist, contact customer support. Discontinue use if there are any unusual odors, as this may indicate a malfunction.

Important Note:

For additional assistance with issues not covered in this guide, please reach out to our dedicated customer support team. Contact customersupport@edenpark.com.

6.0 Warranty Information

Warranty:

<https://edenpark.com/limited-warranty/>

Abridged Warranty:

Eden Park (“SELLER”) warrants that its products are free from defects in workmanship and materials and are suitable for the purposes outlined in Eden Park’s catalog or product specifications, when used under normal conditions and in accordance with their intended purpose.

The entire warranty commitment of Eden Park is limited to repairing or replacing, at Eden Park’s discretion, any products or parts found to be defective (as determined by Eden Park) and returned to Eden Park’s facility within twelve (12) months (unless otherwise specified) from the date of shipment by Eden Park. Eden Park does not cover product damage or failure resulting from acts of God, natural disasters, or environmental catastrophes, including but not limited to earthquakes, tornadoes, fires, lightning strikes, tsunamis, volcanic eruptions, and other similar events. This exemption applies to any direct or indirect damage, destruction, or malfunction of our products caused by such uncontrollable and unforeseeable circumstances. Prior to shipment, BUYER must obtain approval from Eden Park and a return authorization number.

This warranty becomes void if serial numbers or other identification marks are altered or removed. The warranty does not apply to products or components that have been subject to abuse, alteration, operation outside the environment specifications of the product, improper handling or installation, or use of the product contrary to Eden Park’s instructions. Additionally, this warranty does not cover damage to the product during the warranty period resulting from causes other than normal wear and tear, including but not limited to accidents, transportation, neglect, misuse, or use of the product for purposes other than its intended use.

This warranty is exclusive and supersedes all other warranties, whether expressed or implied, including any implied warranty of merchantability or fitness for

a particular purpose. This warranty applies only to the original purchaser of Eden Park products. The sole remedy available to the BUYER is the repair or replacement as stipulated herein, of any product or part found to be defective under this warranty. Under no circumstances shall Eden Park be liable to the BUYER or any third party for any consequential damages to persons or property, incidental damages, loss of time, anticipated or lost profits, or any other loss incurred by the BUYER related to products covered by this warranty. As long as Eden Park is willing and able to repair or replace defective parts in the specified manner, this exclusive remedy shall not be considered to have failed in its essential purpose. This limited warranty may only be modified by Eden Park in writing, signed by an authorized officer of Eden Park.

7.0 Contact Information

Eden Park Illumination, Inc.
903 North Country Fair Drive,
Champaign, IL 61821, U.S.A

Phone: +1 (217) 403-1866
Email: customersupport@edenpark.com

For any further inquiries or assistance, please contact our Customer Support team.

8.0 UV Intensity Specifications

